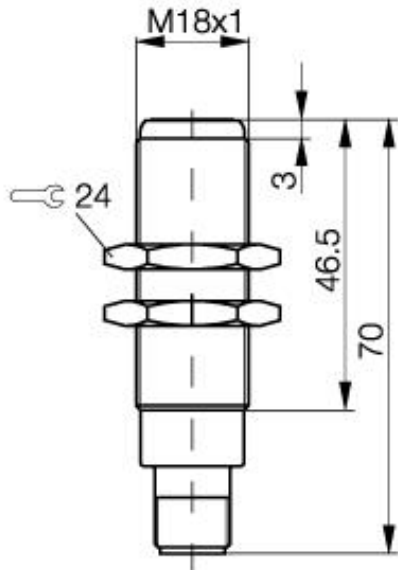


Photoelectric Sensor
BLE 18E-PS-1P-E5-D-S 4
Sn=16000mm
through-beam



PX1045

Common Data

Series	18E
Sensortype	through-beam
Switching frequency	100 Hz
Rated operating distance Sn in mm	16000
asured operating distance Sa	16000
Repeat accuracy	< 5% from Sn
Hysteresis	< 20%
Indication Supply Voltage	no
Indication Switching element on	no
Ambient temperature	-5...+75°C
On-delay	< 5ms
Light	Infrared
Permissible ambient light	2000 Lux
Output function	light-on

Mechanical Data

Measurements	M18x70
Shock	Halfsinus, 30gn, 11ms
Vibration	10...55Hz, 1,5mm Amplitude 3x2h
Housing material	stainless steel 1.4571
Material of sensing face	Glass
Degree of protection	IP69
Connection	Connector S4 (M12)
Weigth	40g

Electrical Data

Current	DC
Switching function	normally-closed
Output	PNP
Rated operational voltage Ue	24V DC
Supply Voltage	10...30V DC
Ripple	max. 15% from UB
Frequency of Supply Voltage	DC
Voltage drop	<2,5V
Short protection	yes
Protected against polarity reversal	yes
Rated insulation voltage	250V DC
max. Load capacity	1µF



Utilization categories
 Insulation class

DC 13
 II

Datasheet number:

Definitions see general catalog.
 If not otherwise noted, ratings according to
 IEC 60947-5-2 (DIN EN60947-5-2)

Balluff GmbH
 Schurwaldstrasse 9
 73765 Neuhausen a.d.F.
 Phone (07158) 173-0 Fax (07158) 5010

Datenblatt by CD-ROM - 04/2007

BALLUFF
 sensors worldwide